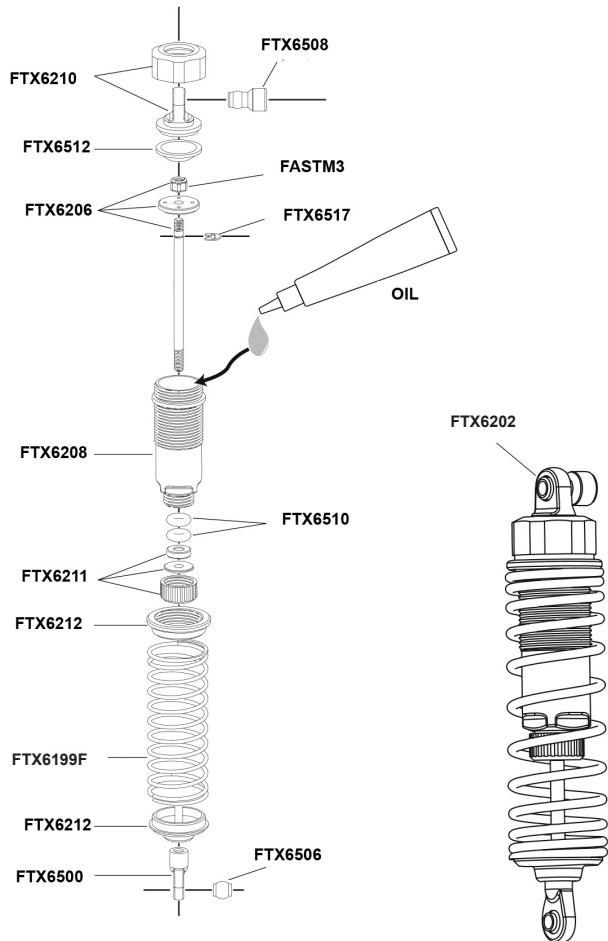


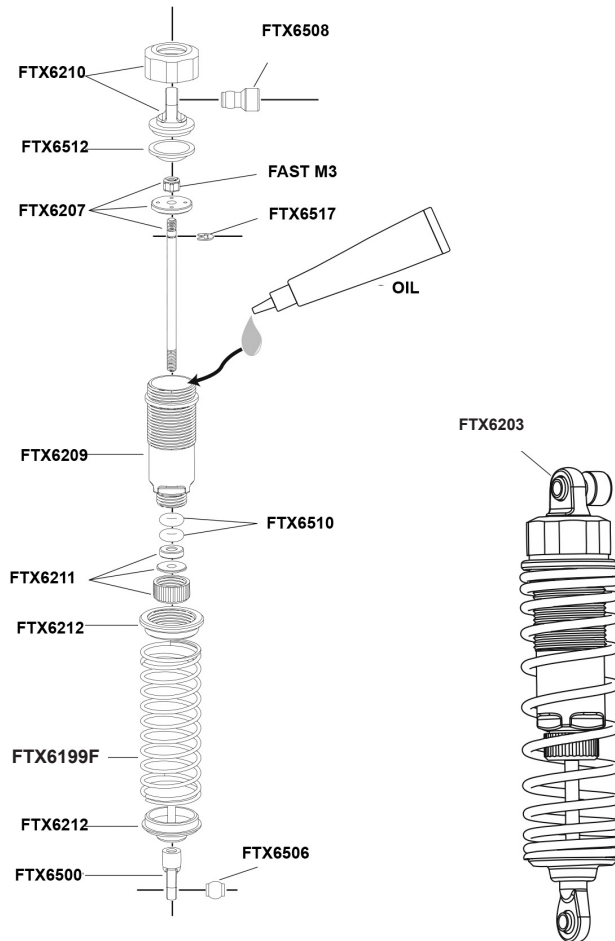


# EXPLODED PARTS DIAGRAM

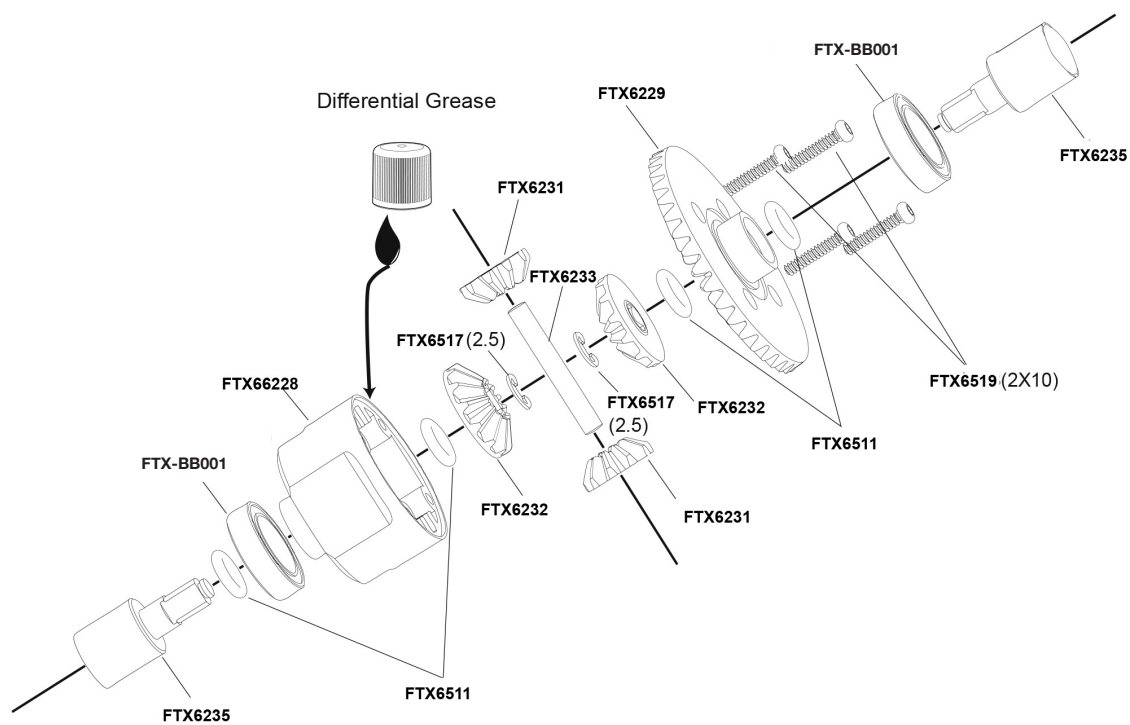
## Front Shocks(Bag A)



## Rear Shocks(Bag B)



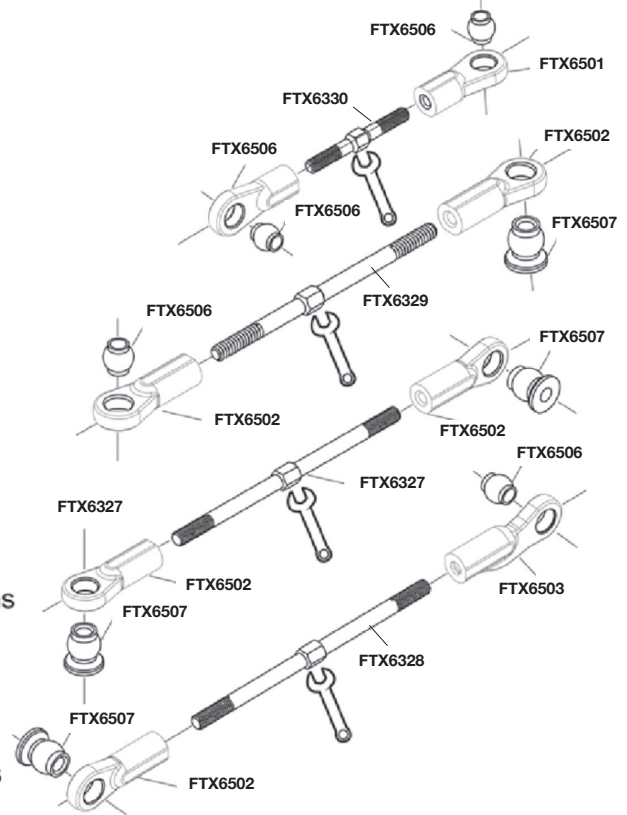
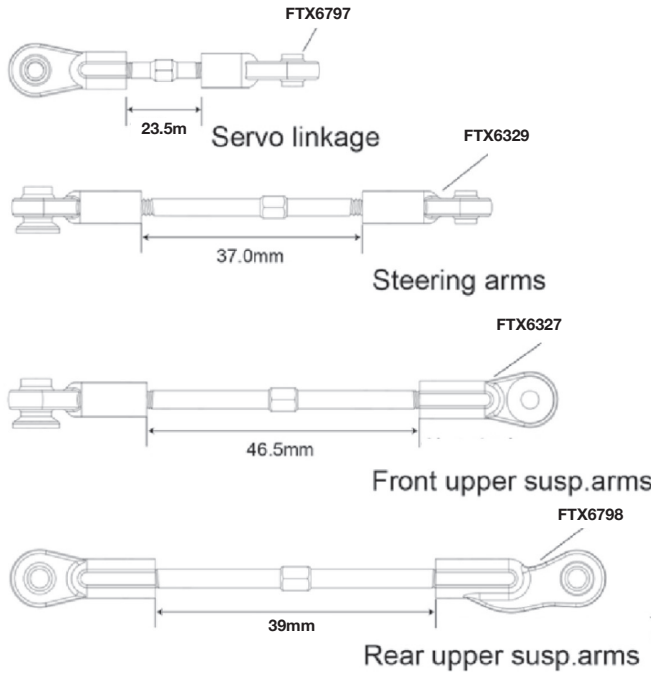
## Front/Rear Differential(Bag C)



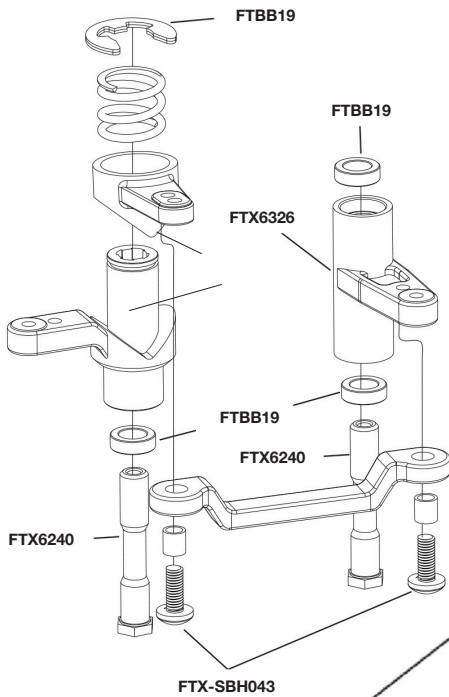


# EXPLODED PARTS DIAGRAM

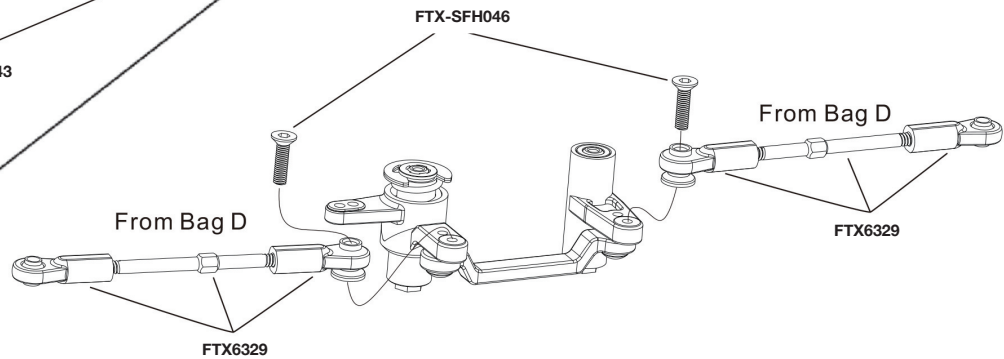
## Linkages(Bag D)



## Servo Saver(Bag E)



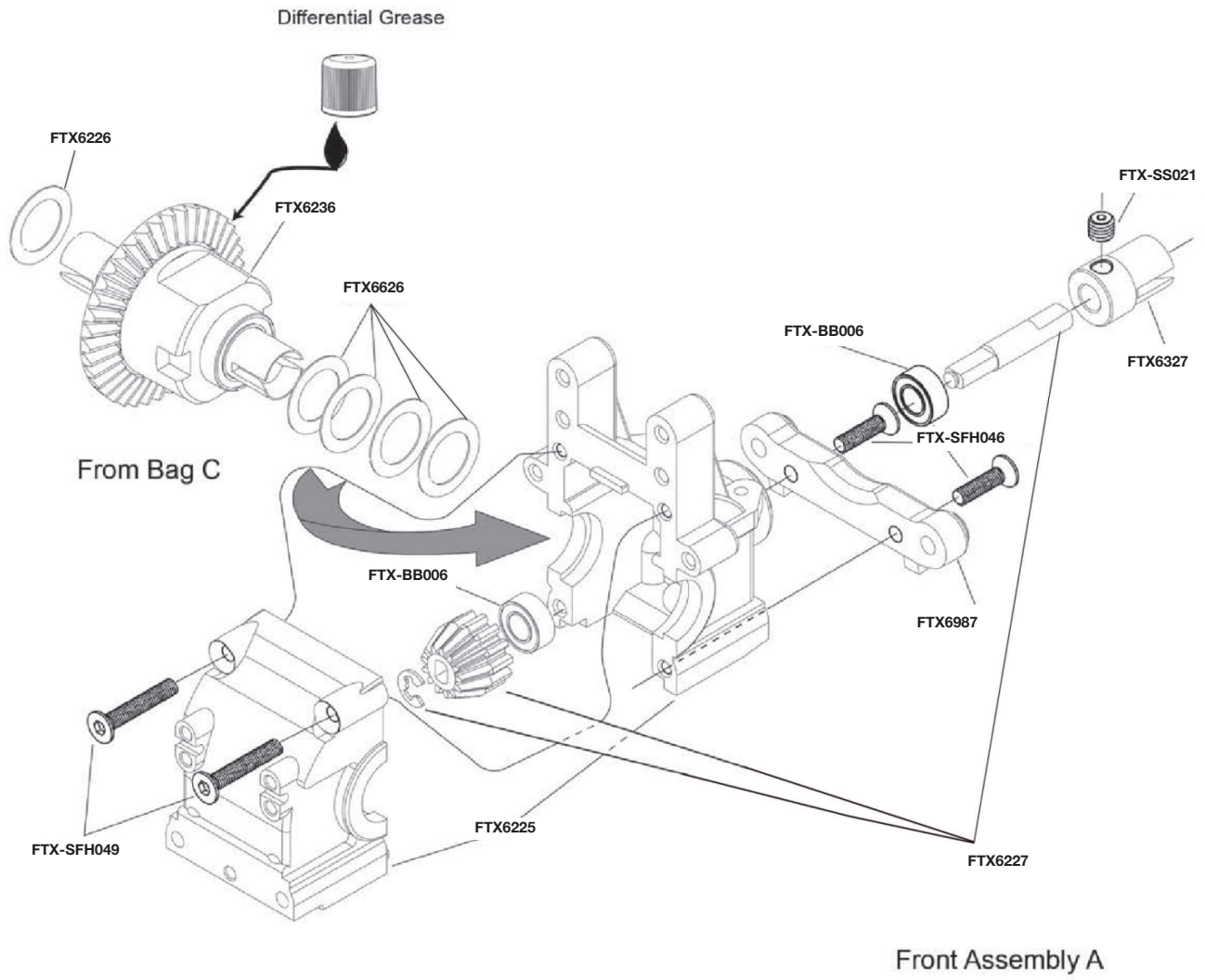
Assemble steering arms.



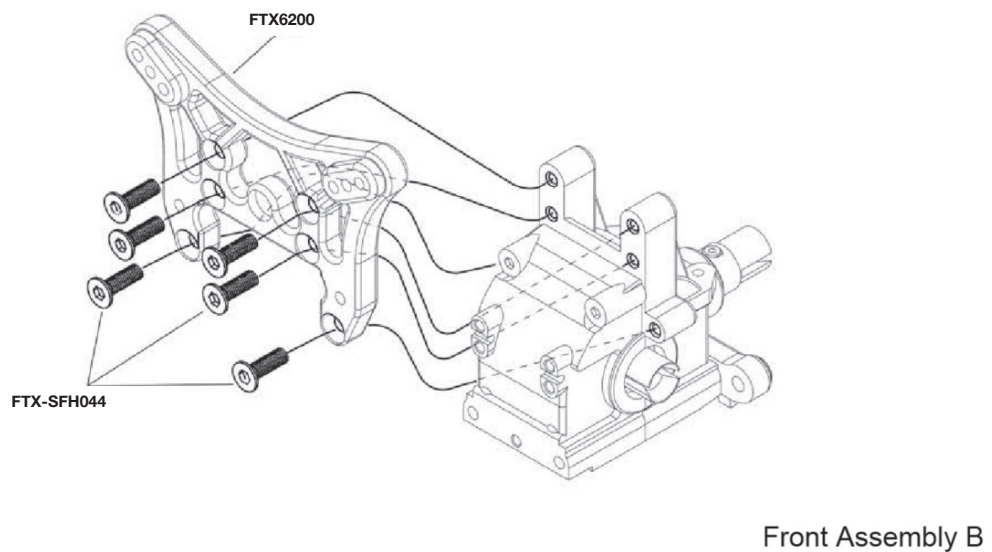


# EXPLODED PARTS DIAGRAM

## Front Gear Box Assembly(Bag F)

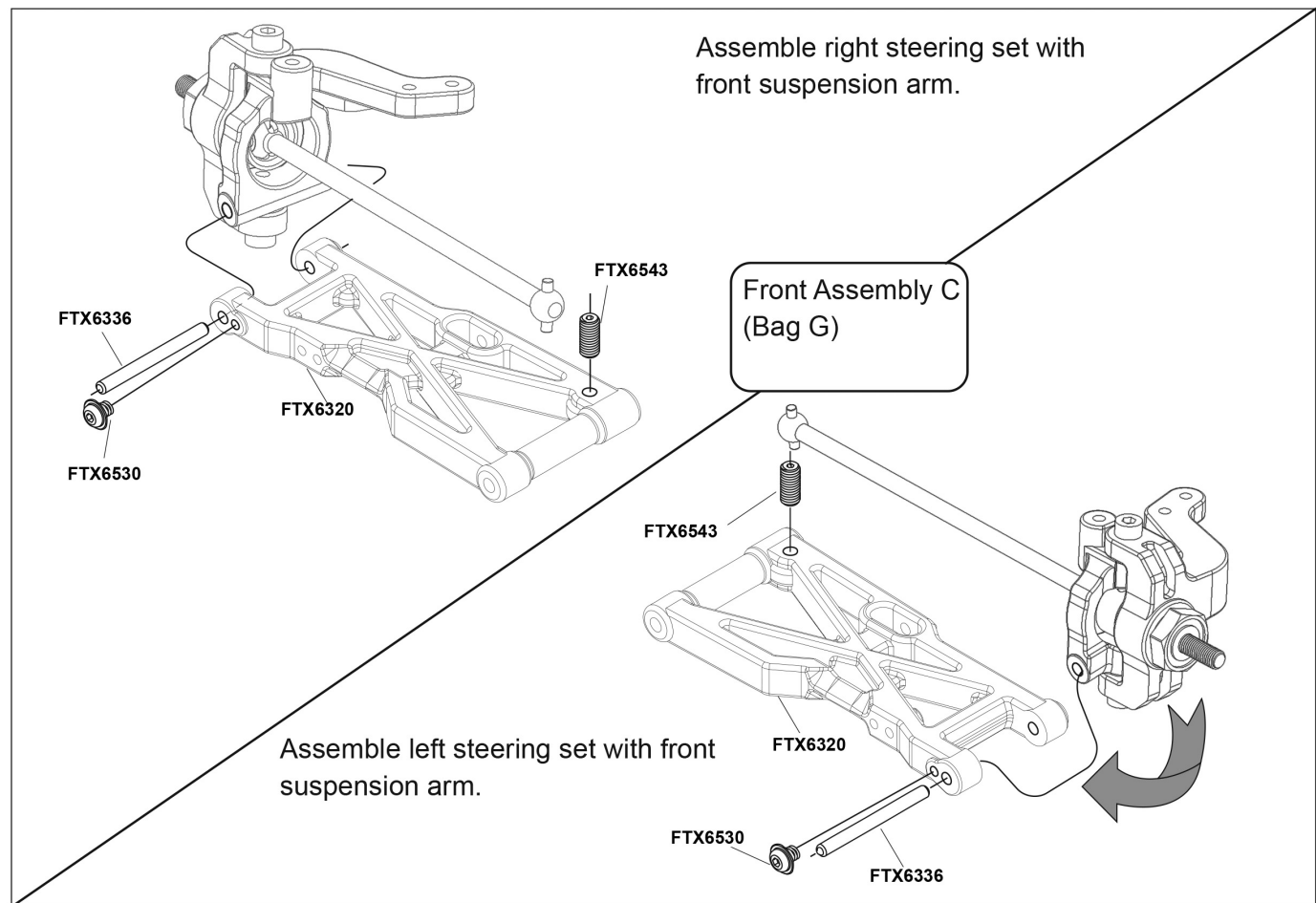
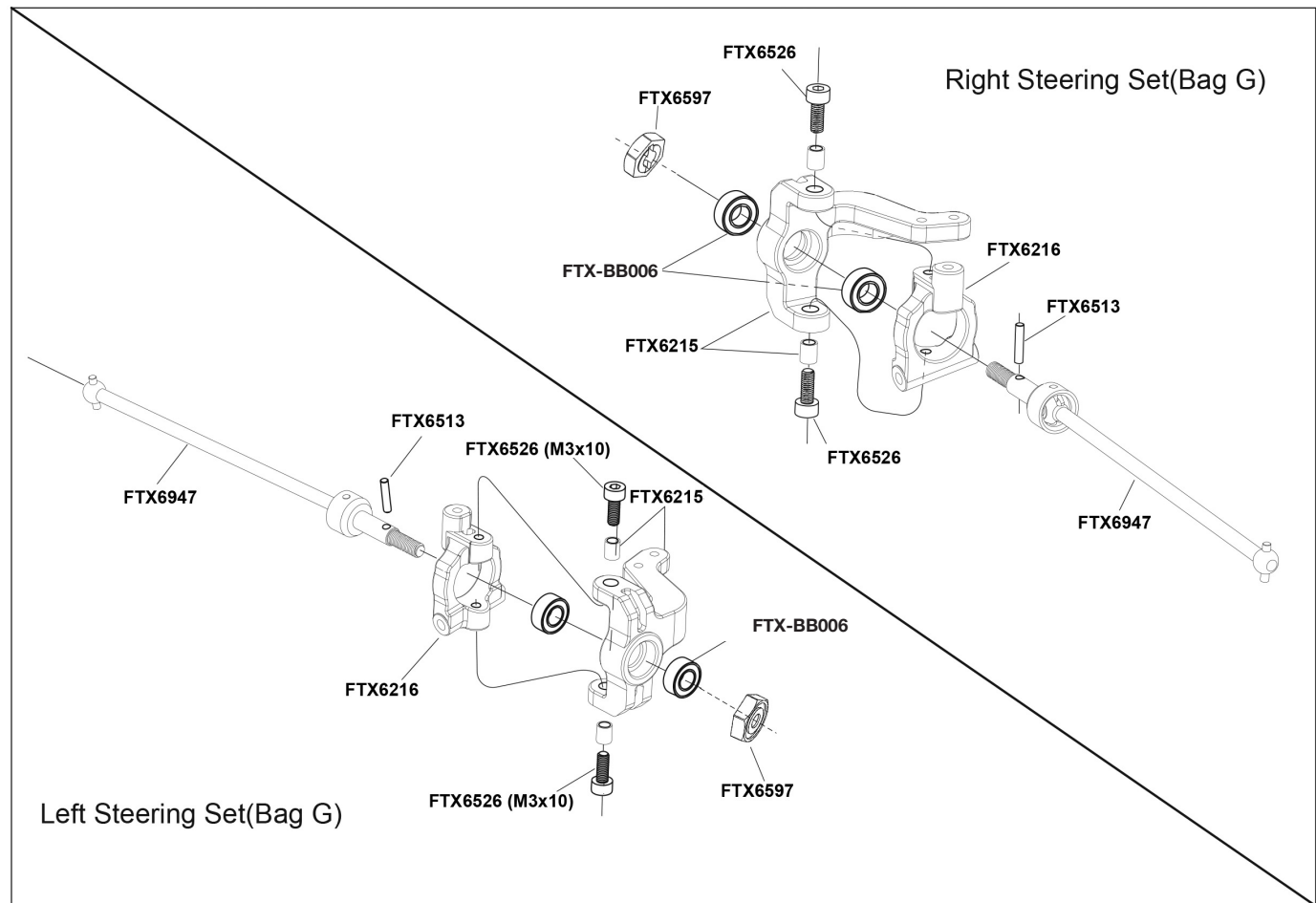


## Front Shock Tower(Bag F)



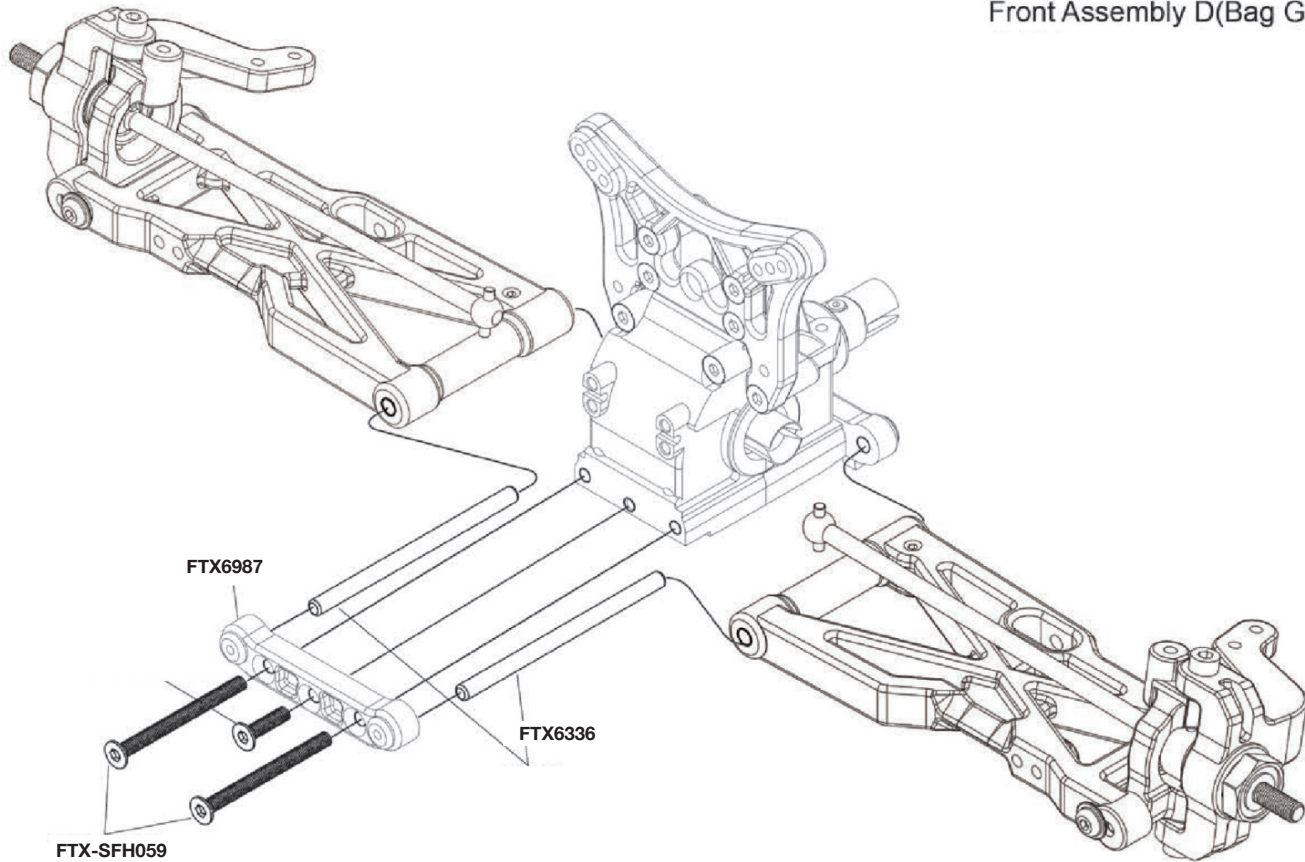


# EXPLODED PARTS DIAGRAM



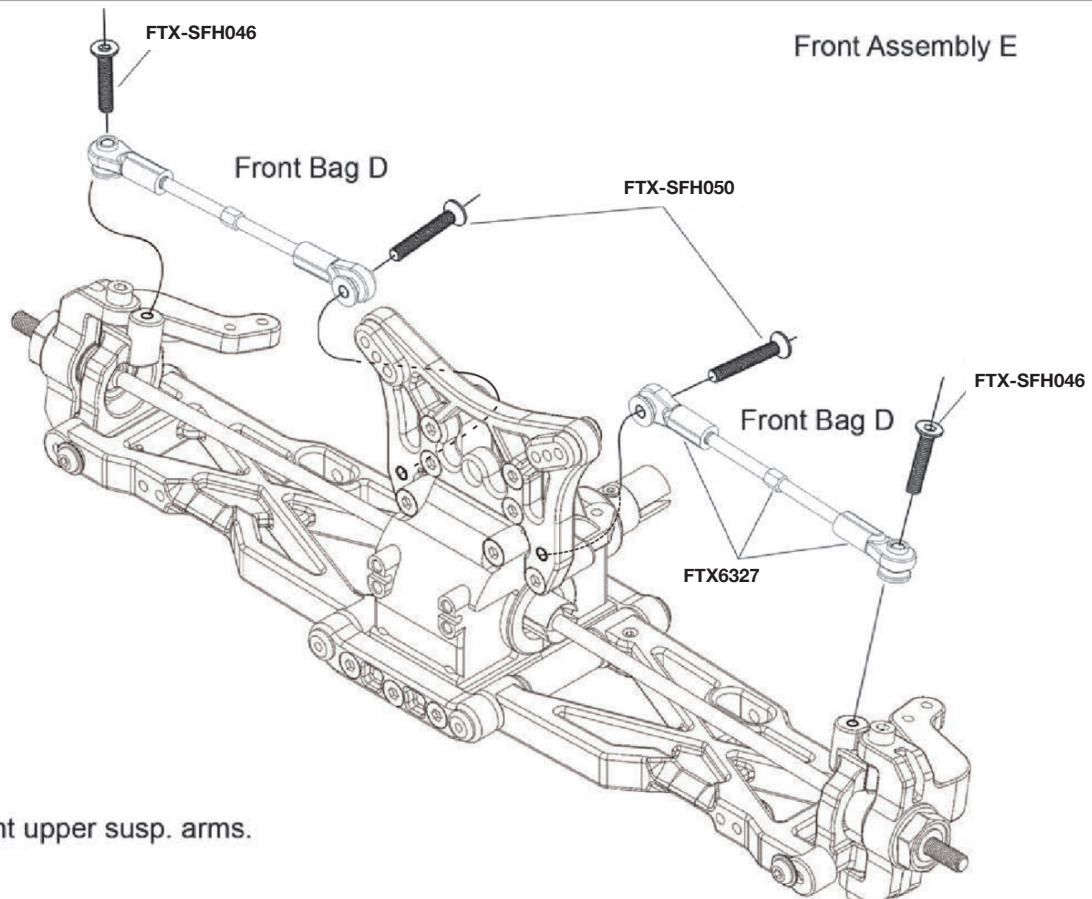


### Front Assembly D(Bag G)



Assemble front susp arm sets to front diff.set.

### Front Assembly E



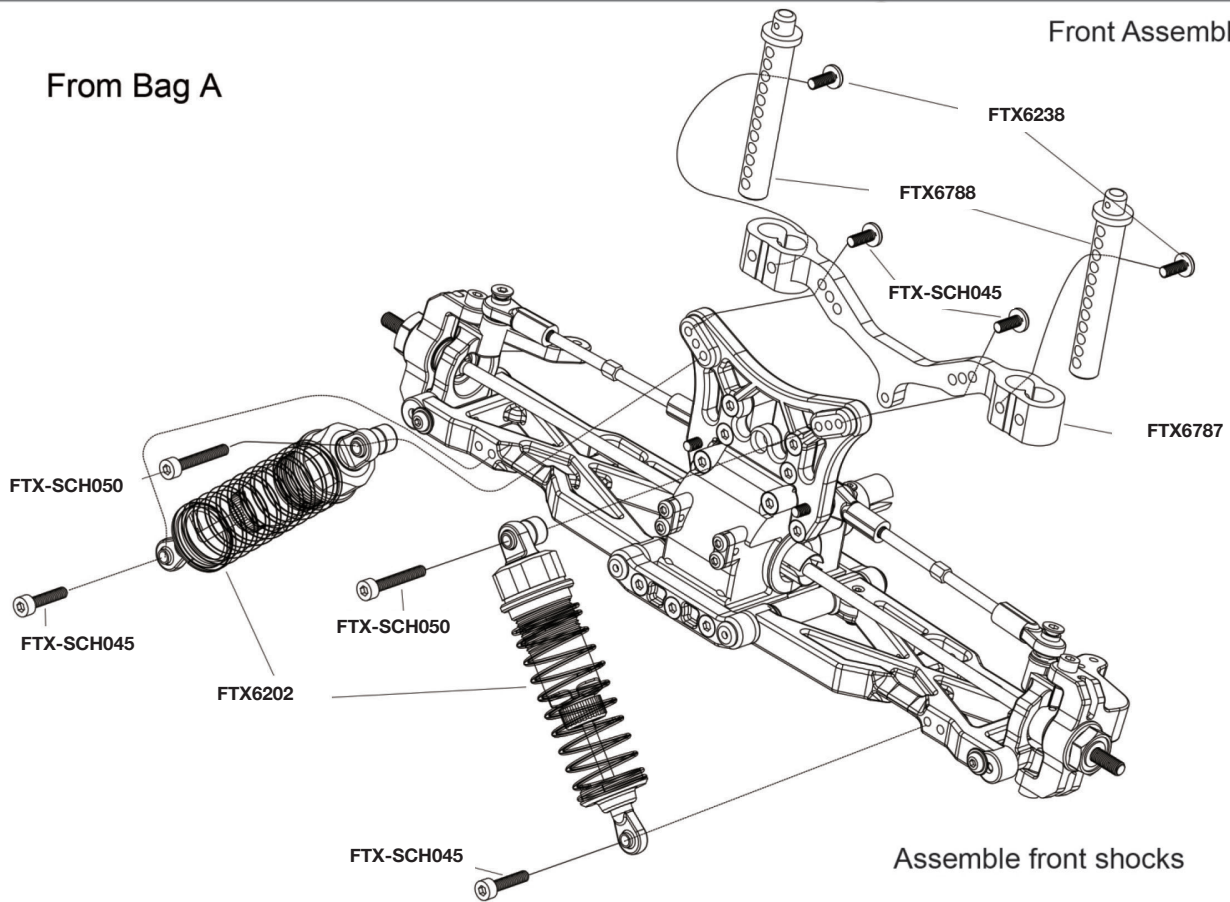
Assemble front upper susp. arms.





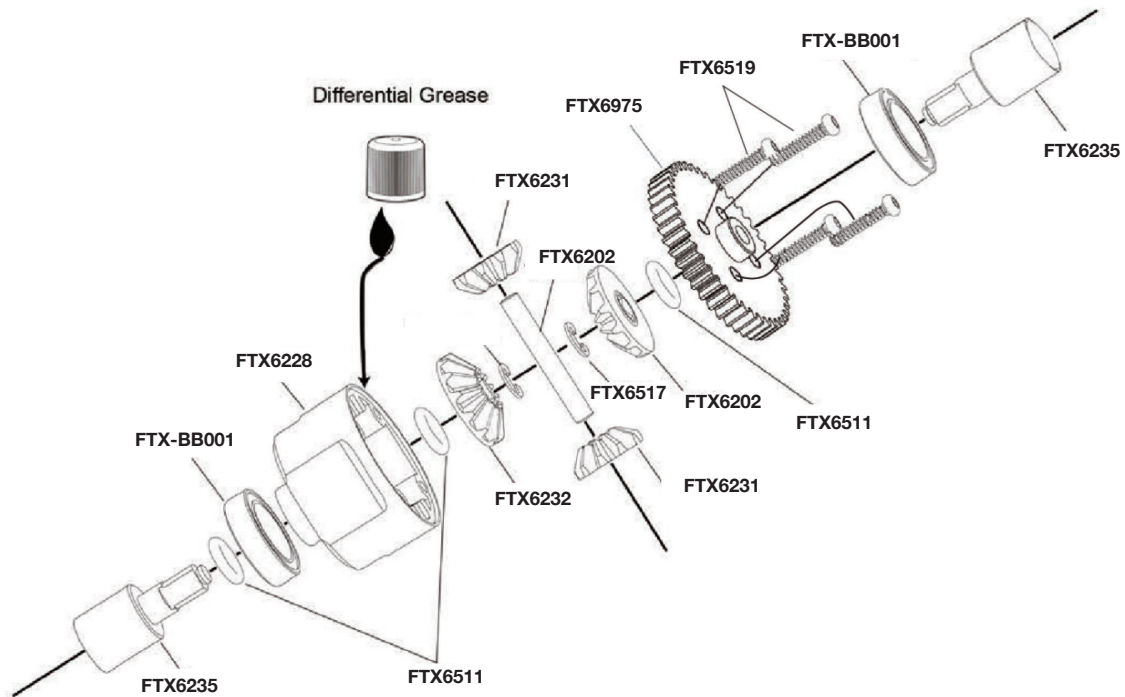
From Bag A

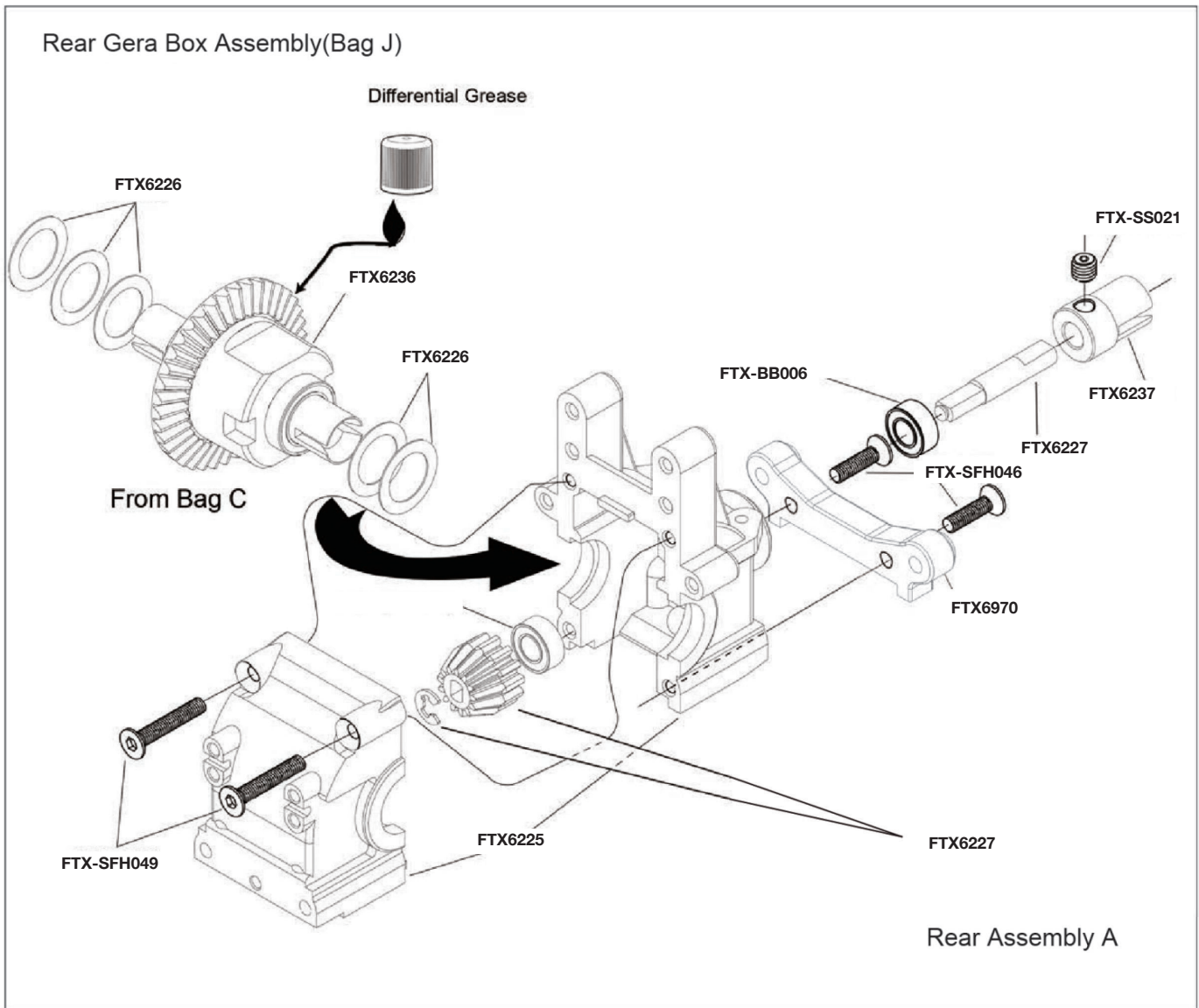
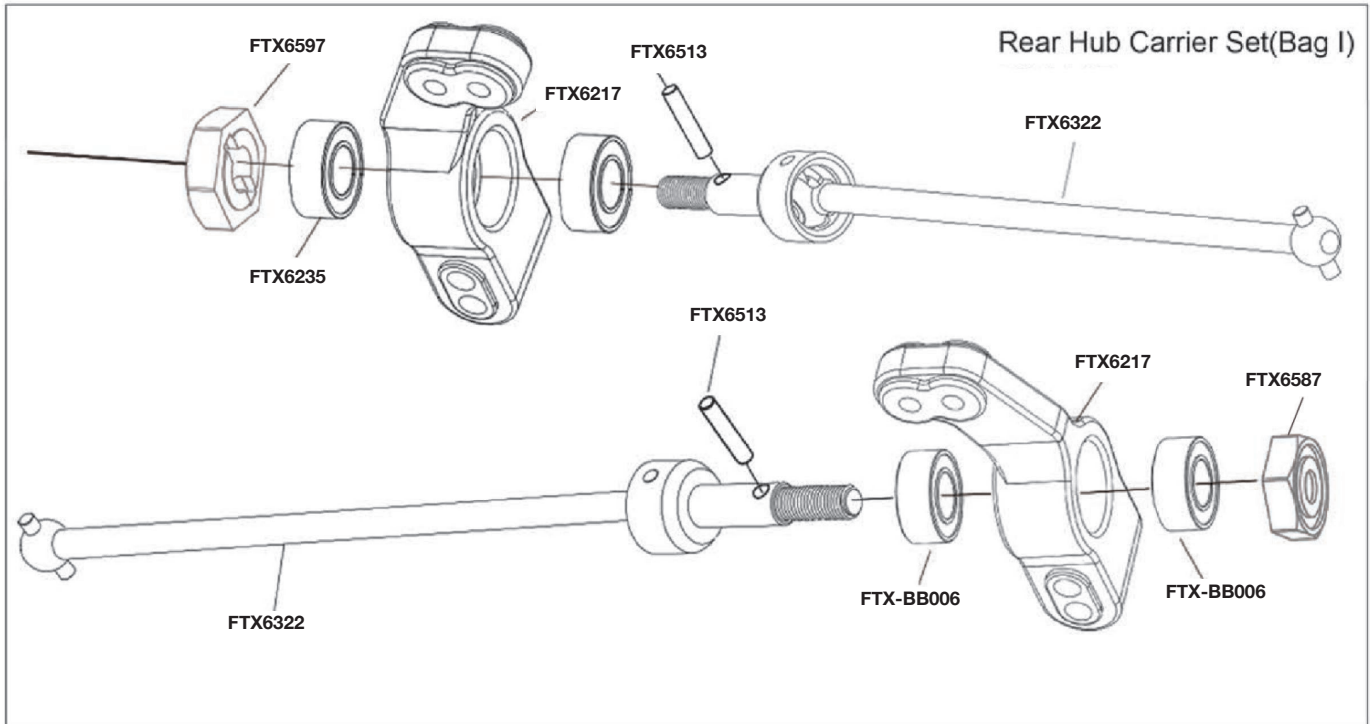
Front Assembly F



Assemble front shocks

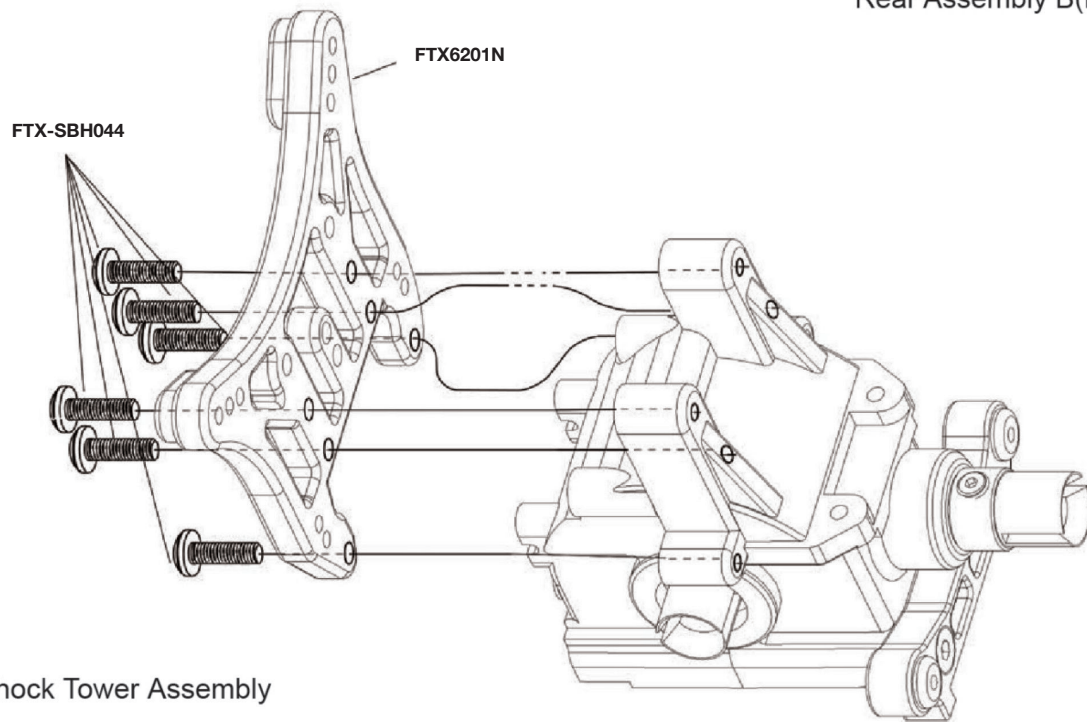
Central Differential (Bag H)





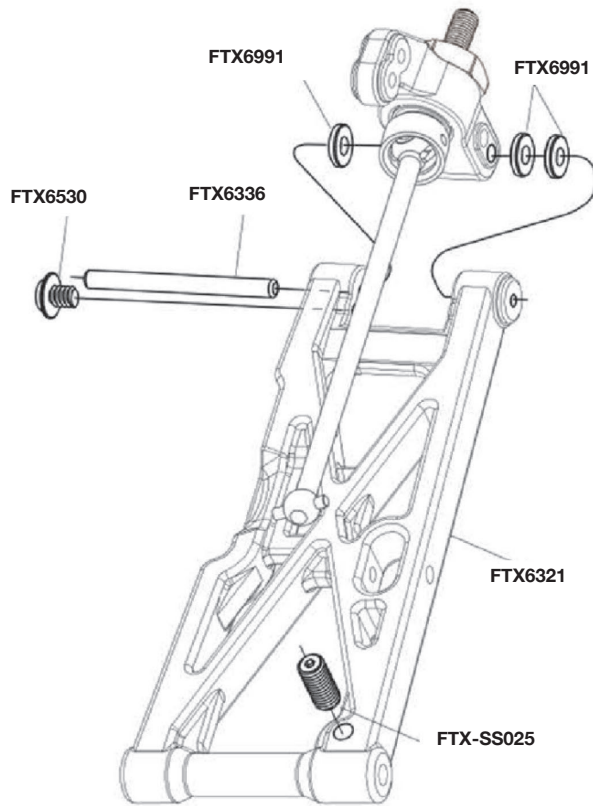


### Rear Assembly B(Bag J)



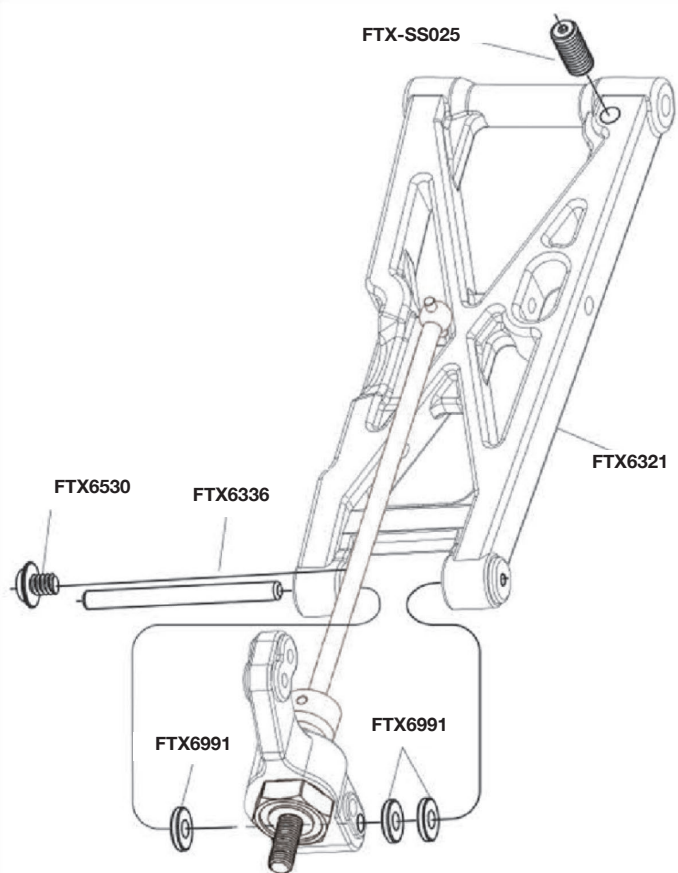
Rear Shock Tower Assembly

### Bag J



Assemble rear hub carrier set with rear lower susp arm.

### FTX-SS025



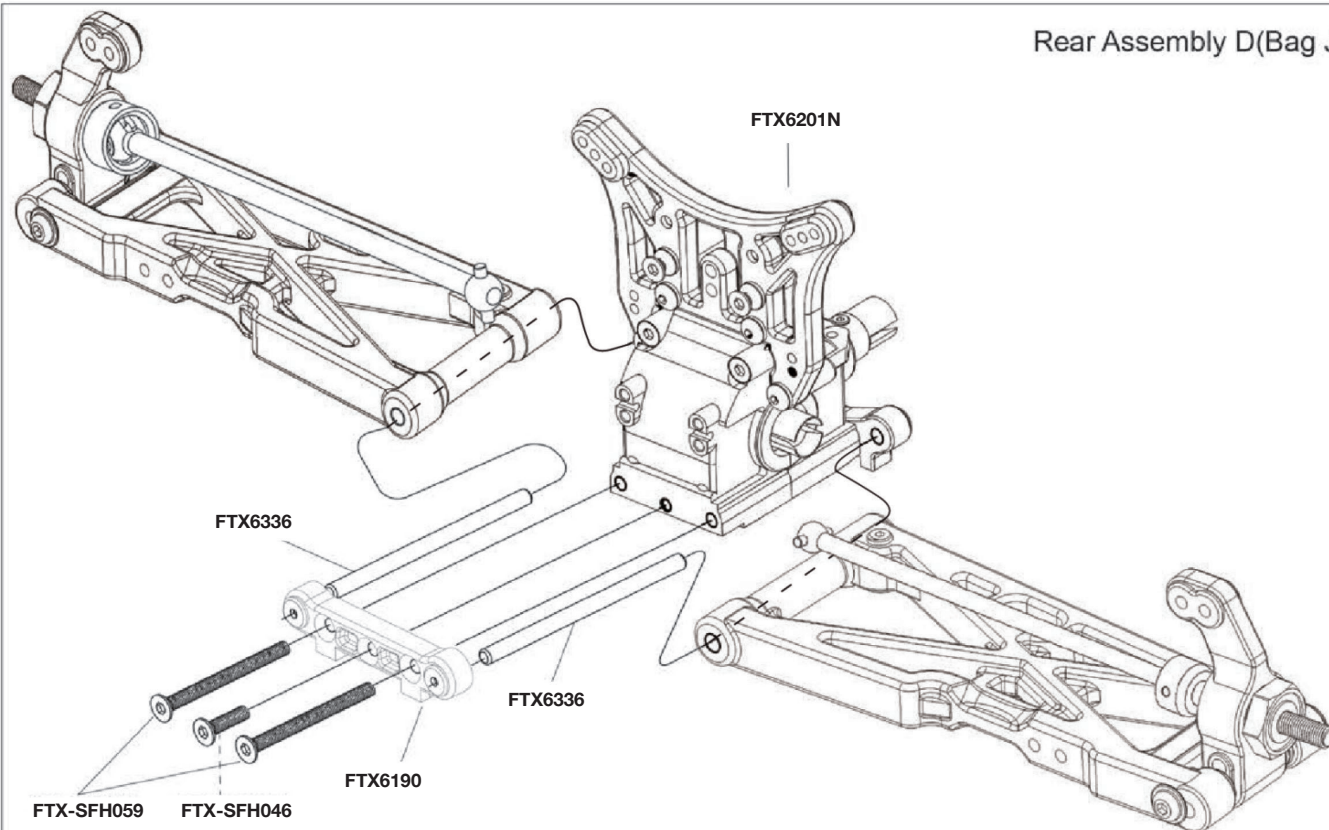
Bag I

### Rear Assembly C



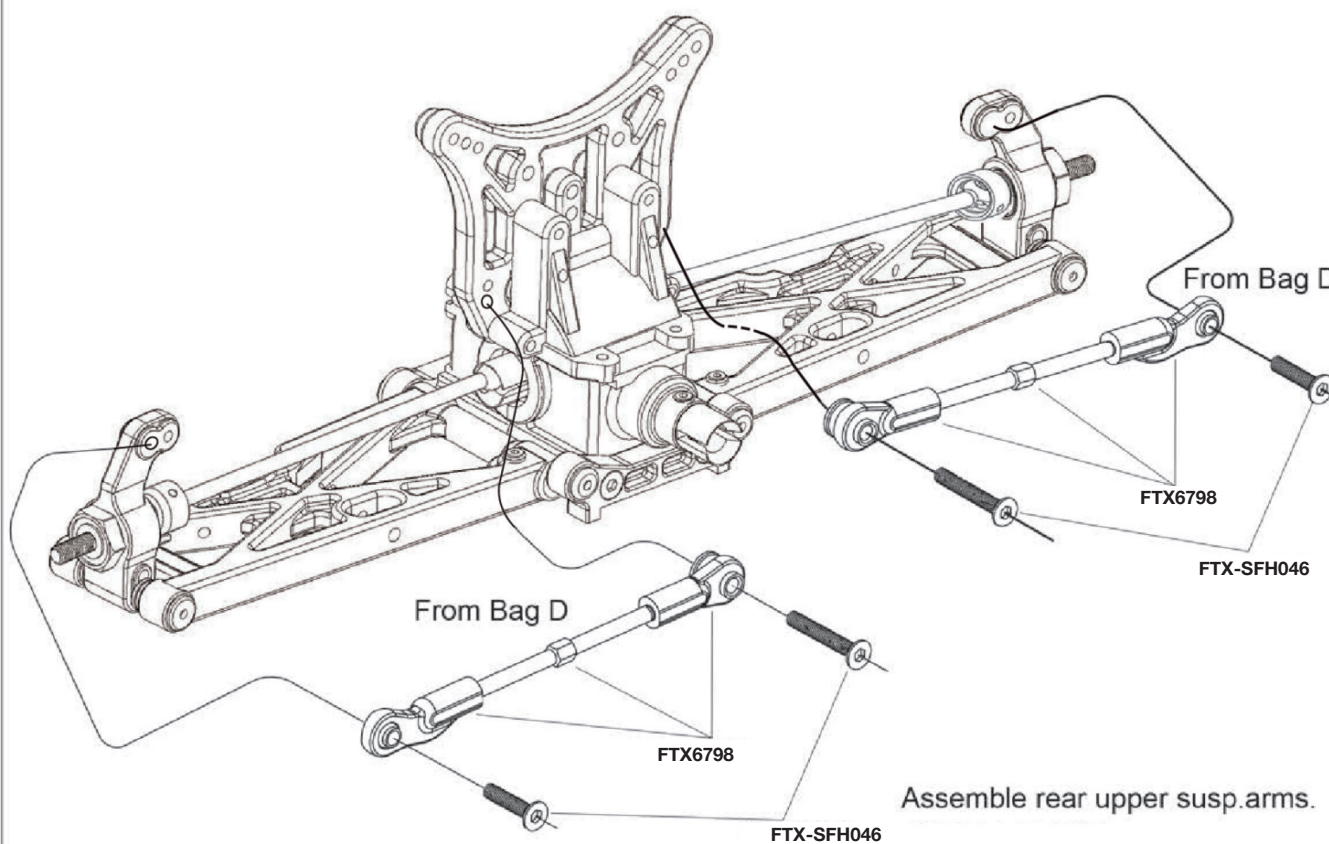


### Rear Assembly D(Bag J)



Assemble rear susp. lower arms

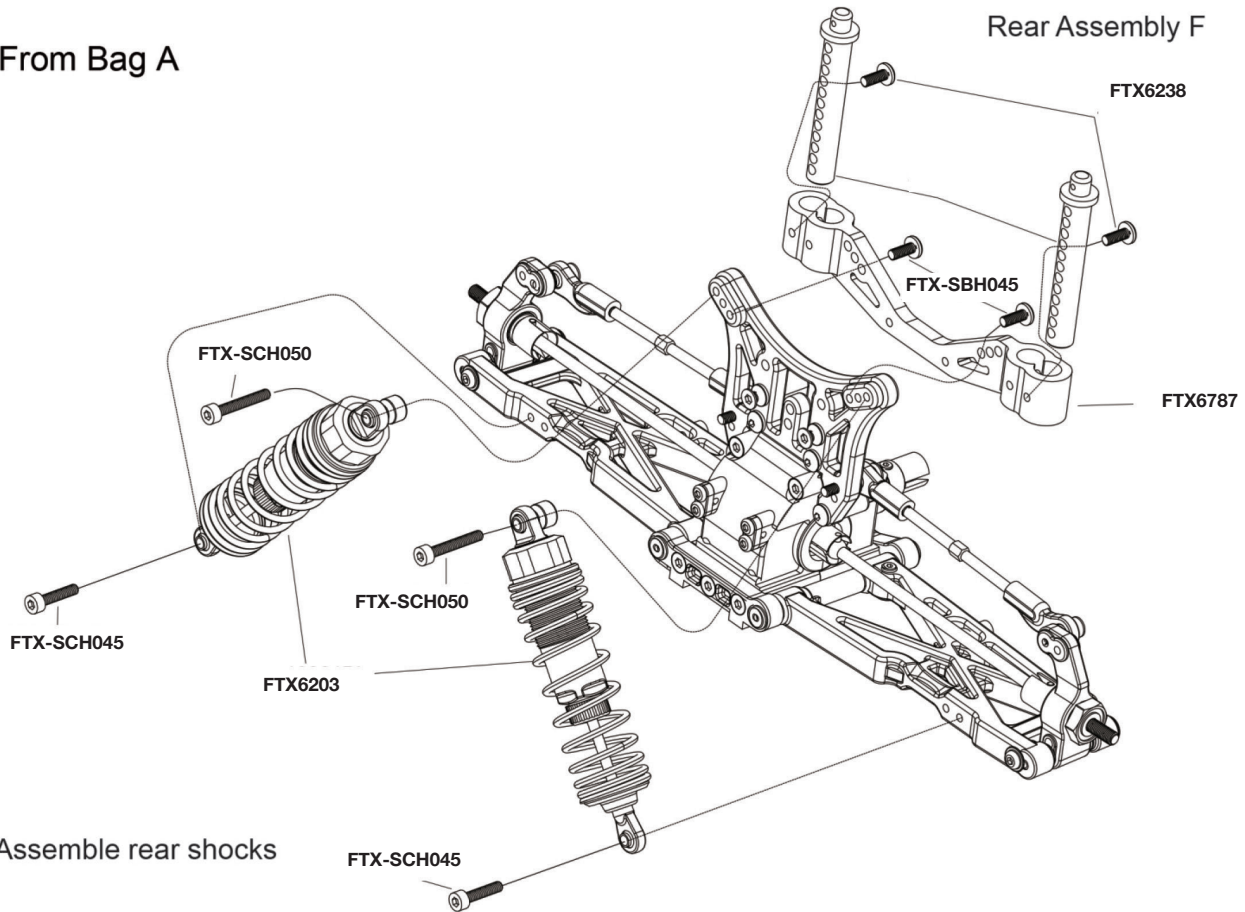
### Rear Assembly E(Bag J)



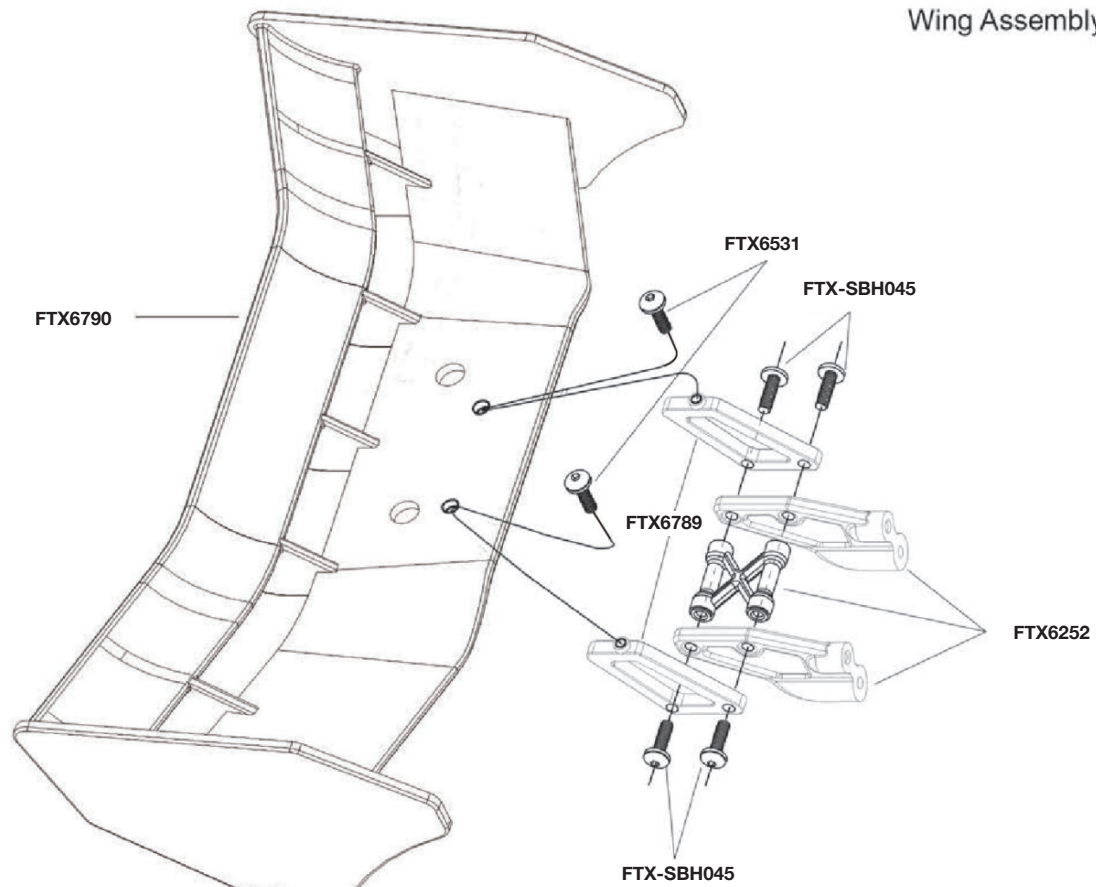
Assemble rear upper susp. arms.



From Bag A



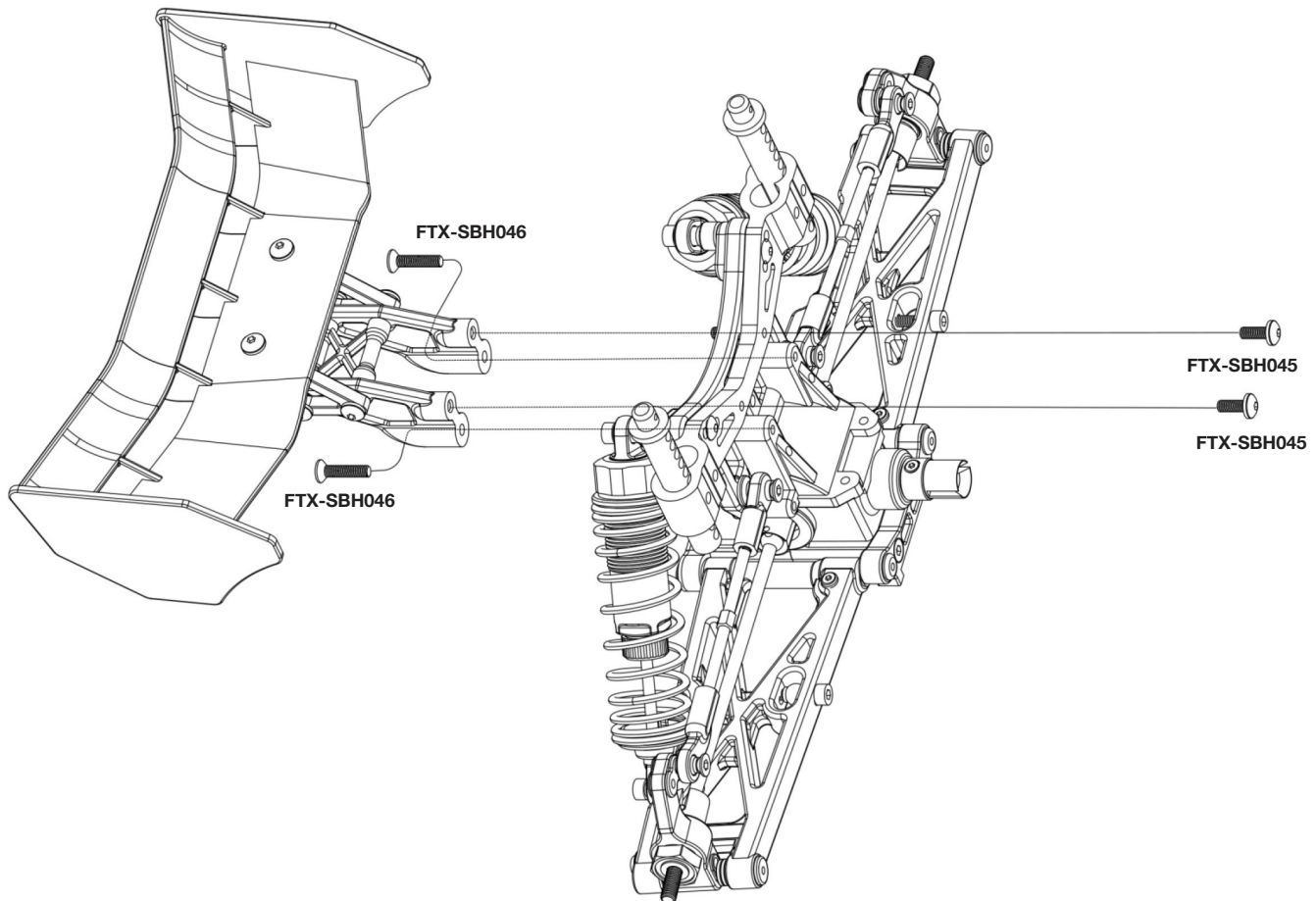
Wing Assembly(Bag K)





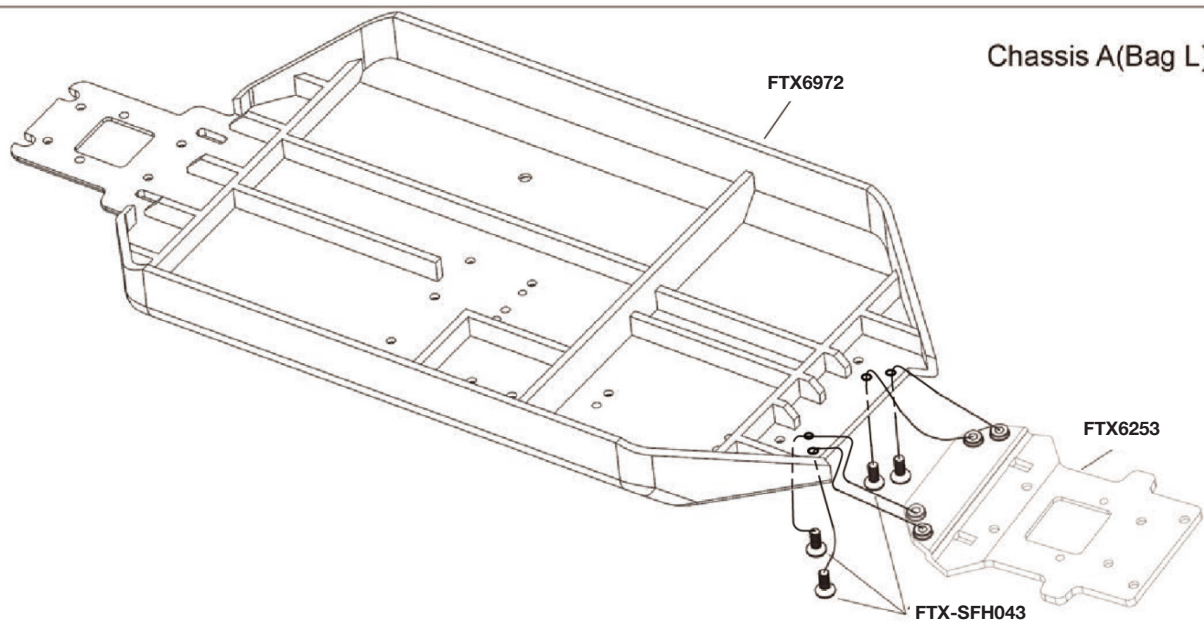
### Rear Assembly G

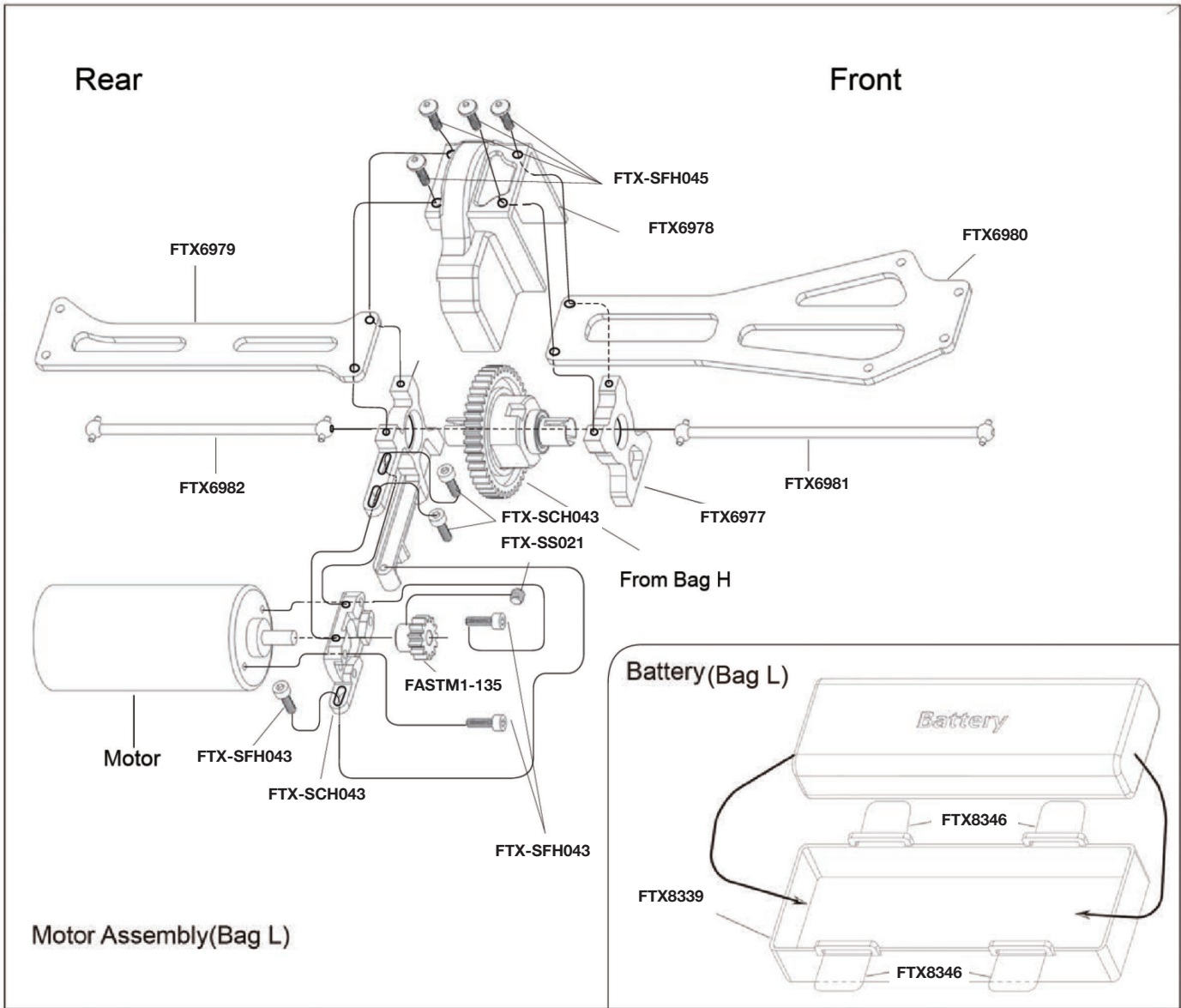
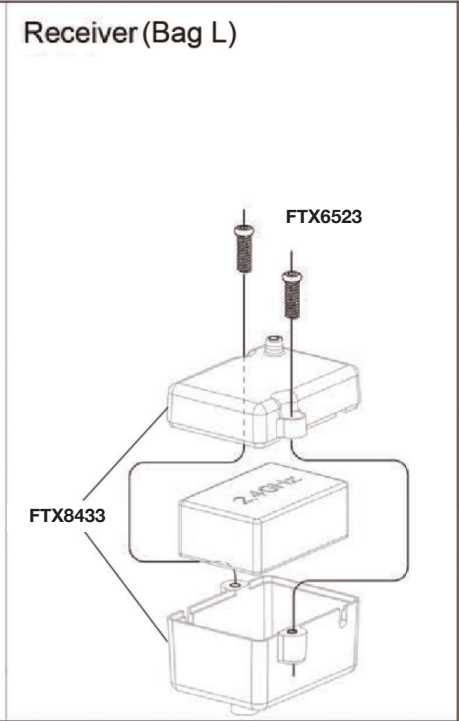
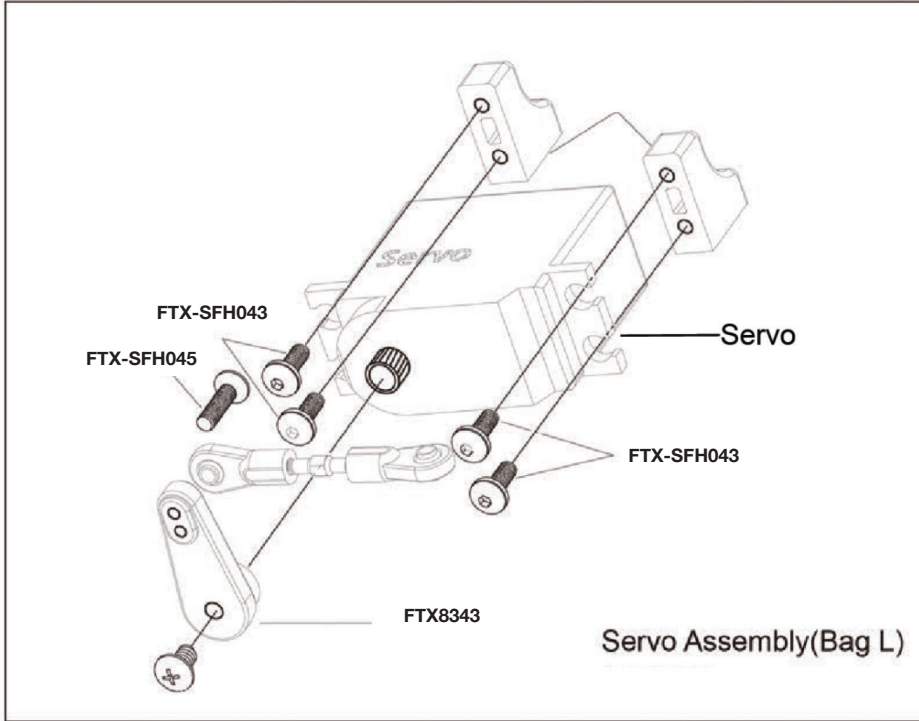
From Bag K



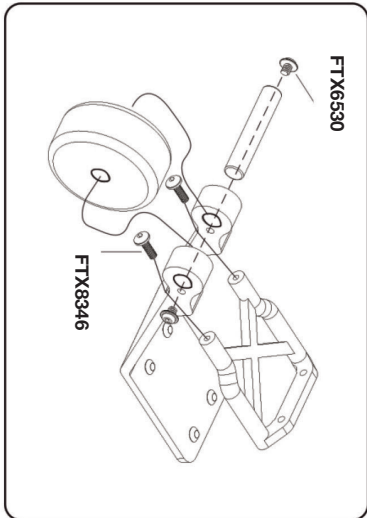
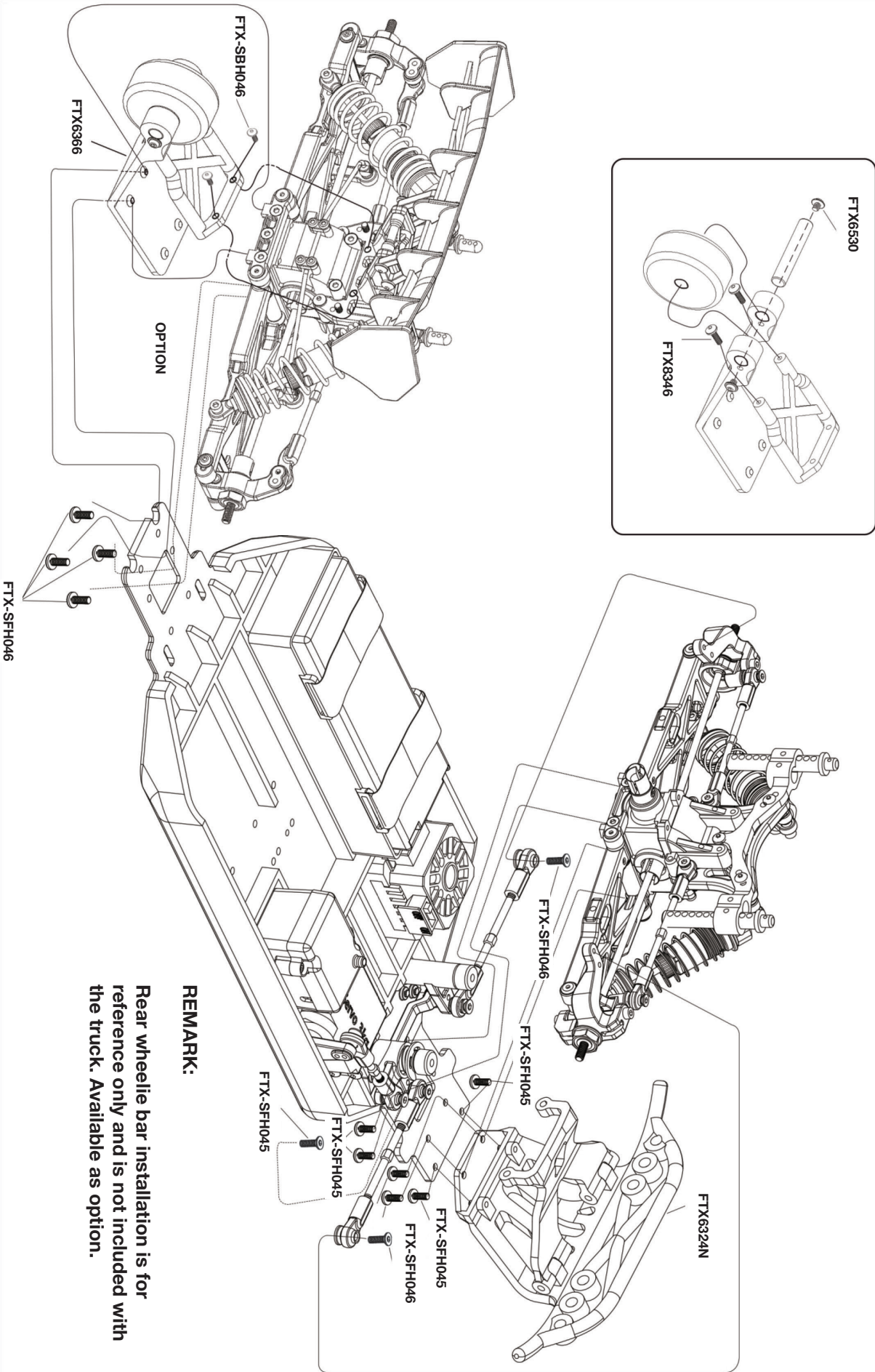
Assemble wing set to rear assembly set.

### Chassis A(Bag L)









OPTIONAL WHEELIE SET (FTX6366)

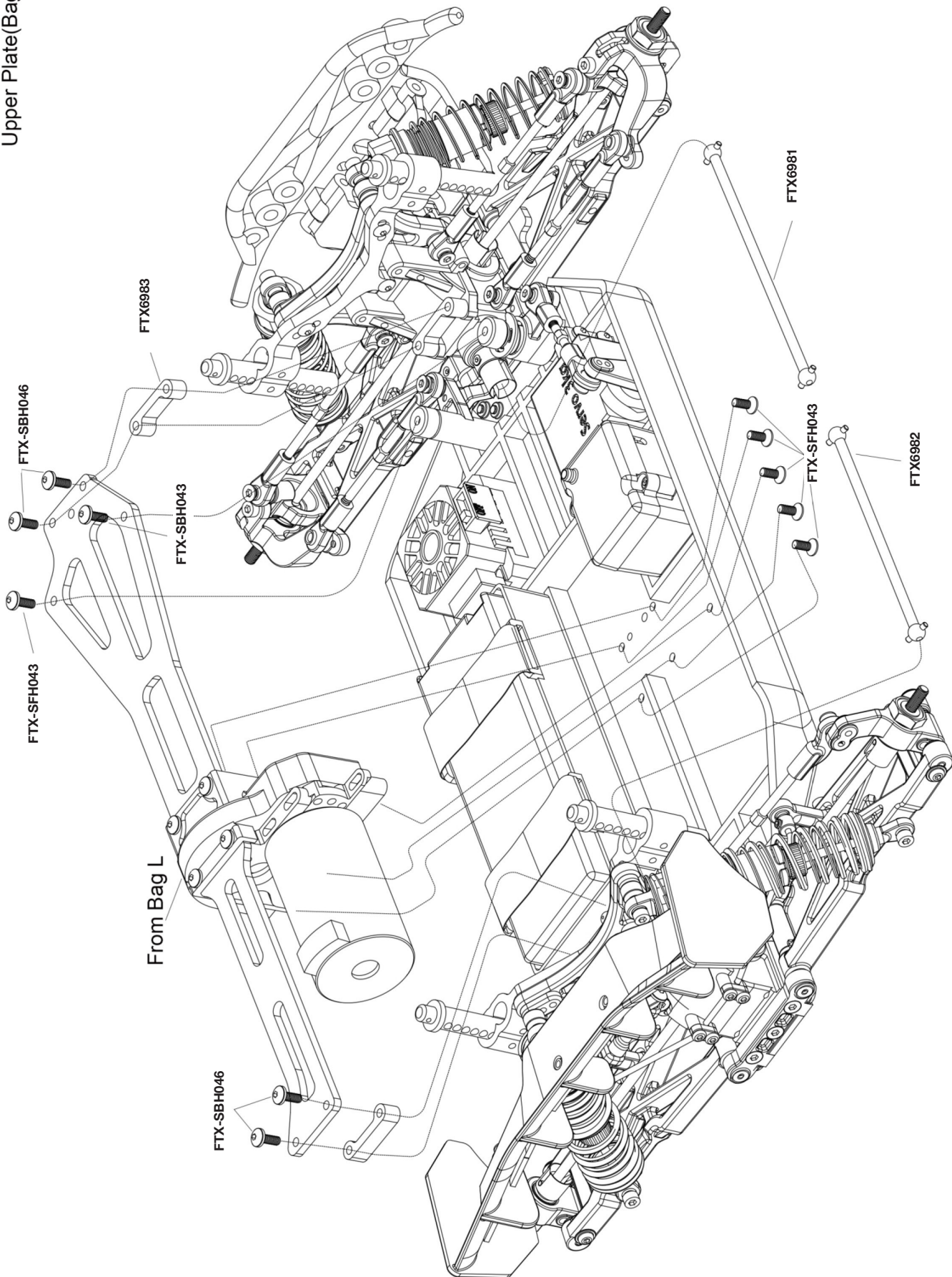
Chassis Assembly

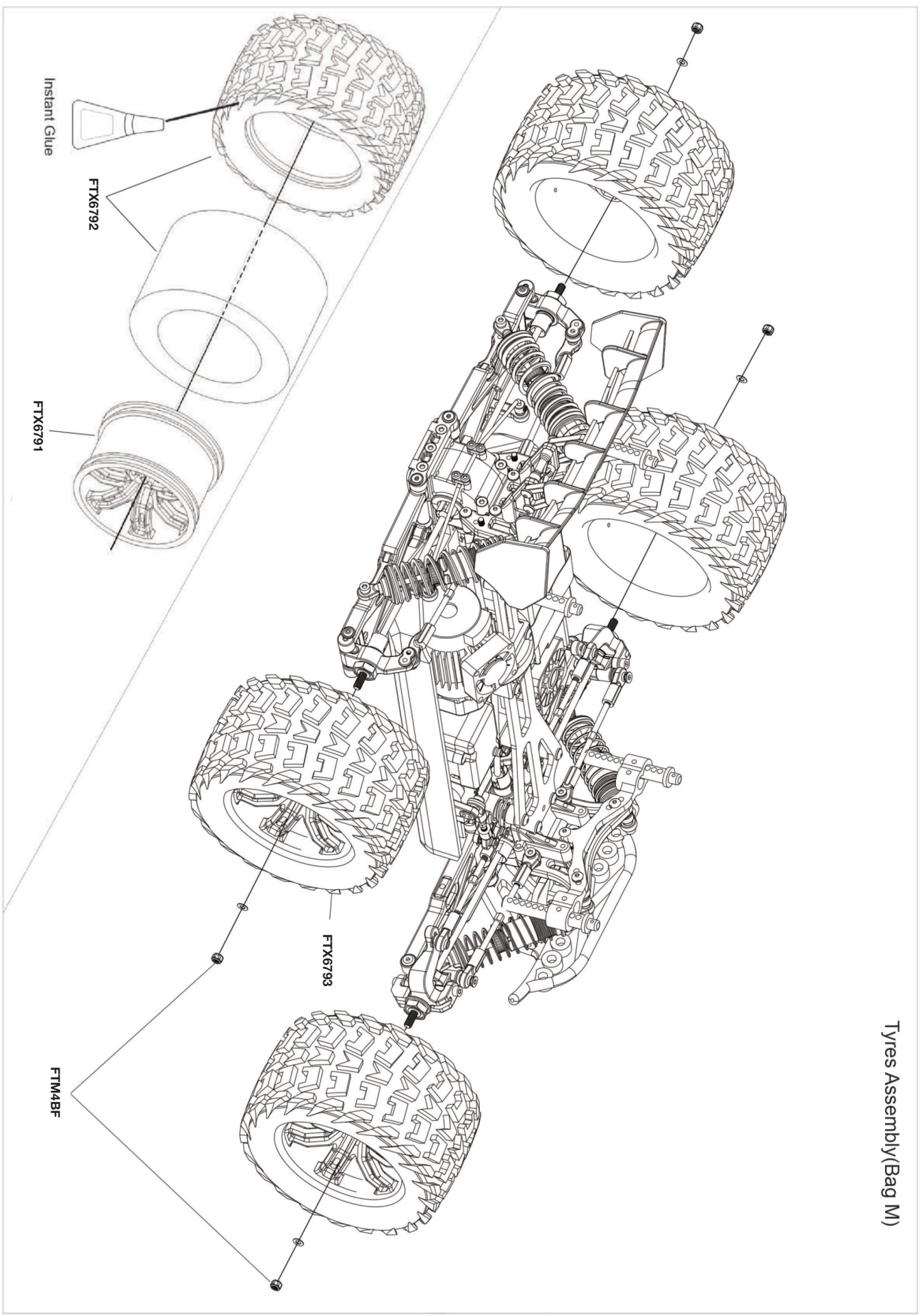
**REMARK:**

Rear wheelie bar installation is for reference only and is not included with the truck. Available as option.



Upper Plate(Bag L)





Tyres Assembly(Bag M)



Body Assembly

